

**ABBATTITORI/CONGELATORI  
BLAST CHILLERS AND FREEZERS**

**BLAST CHILLER/FREEZER 10GN 2/1 CROSSWISE 56/64 Kg**

Code	Avv. Type	Ref.	Page	Brand
110724	16 Crosswise10 GN 2/1 Freezer 56/64 kg (uk)	a	2 3 4 5	Zanussi
110720	13 Crosswise10 GN2/1 Chiller 56 kg (uk)	b	2 3 4 5	Zanussi
728595	14 Crosswise10 GN 2/1 Freezer 56/64 kg (uk)	c	2 3 4 5	Alpeninox
728593	13 Crosswise10 GN2/1 Chiller 56 kg (uk)	d	2 3 4 5	Alpeninox
110034	05 Crosswise10 GN2/1 Chiller 56 kg usa version	e	2 3 4 5	Zanussi
110038	05 Crosswise10 GN2/1 Chiller 56 kg (uk) 380-400\3 + n\60 hz	f	2 3 4 5	Zanussi
110042	05 Crosswise10 GN 2/1 Freezer 56/64 kg (uk) 380-400\3 + n\60 hz	g	2 3 4 5	Zanussi
728309	04 Crosswise10 GN2/1 Chiller 56 kg (uk)	h	2 3 4 5	Franstal
728452	06 Crosswise10 GN 2/1 Freezer 56/64 kg (uk)	i	2 3 4 5	Franstal
726046	01 rosswise10 GN 2/1 Freezer 56/64 kg	l	2 3 4 5	Elux

**note:**

**Has been change the user board and food probes from ser.N°01700001 due to a new connectors.**

**Please for other information look the tec.doc n°VTX.2010-03**

Compressor changed in codes 110724-728452-728595 with serial number 61600001 from spc **085235** model K 300 CS (Dorin) to spc **099916** model H 290 CS (Dorin) with pipes of low and high pressure with code 091225 and 091226.

from serial number 71600001 change electronic board, stiker control, compressor, thermostatic valve, on code a,b,c,d,f,g

**Pag. Indice**

2	Armadio
3	Lista ricambi
4	Gruppo refrigerante
5	Lista ricambi

**Index**

Cabinet
Spare parts list
Cooling unit
Spare parts list

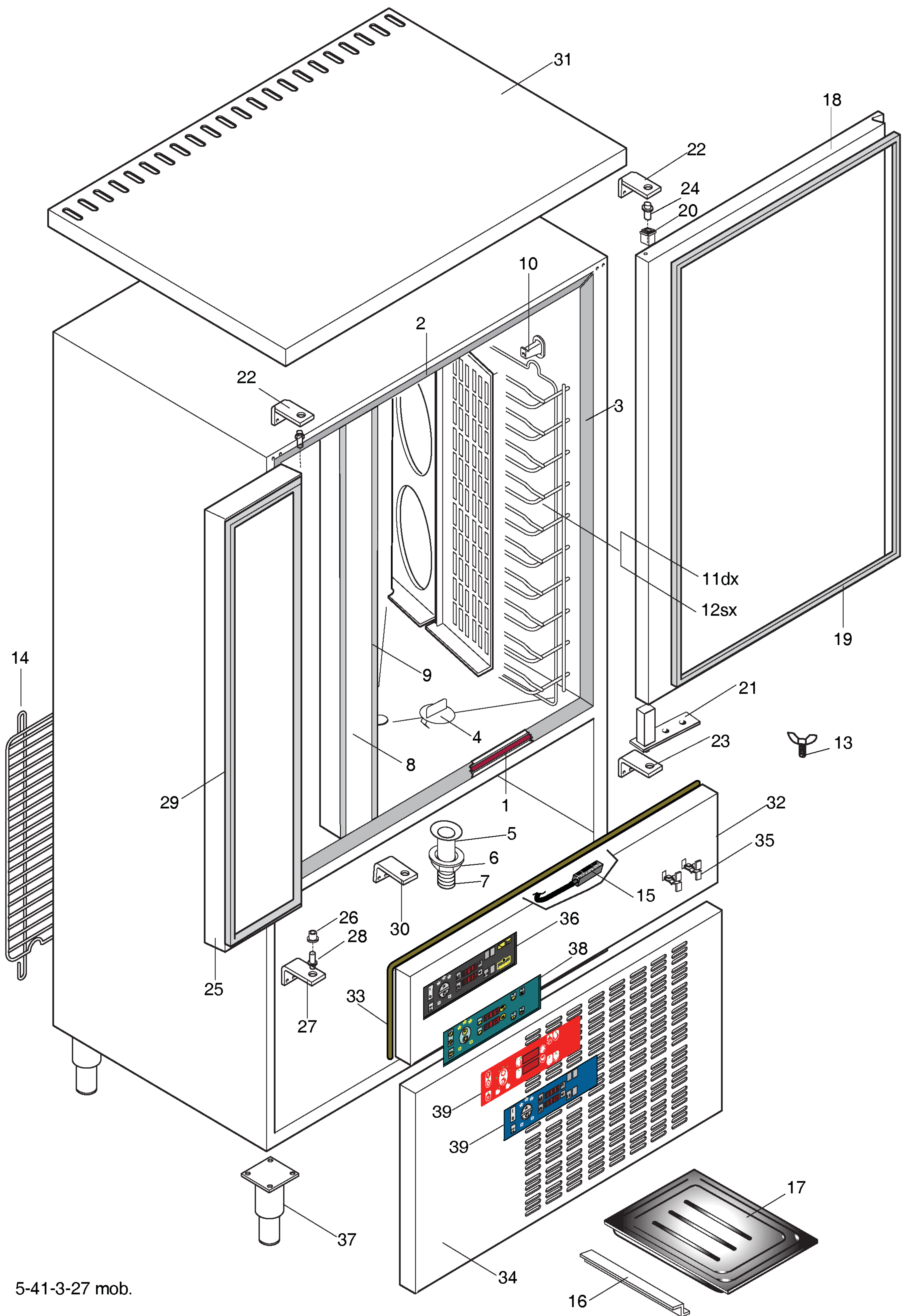
**Paese / Country:** Tutti / All

Da Ser. Nr. / From ser. nr.:

Ed. 05/2010 up date 05 05 2010

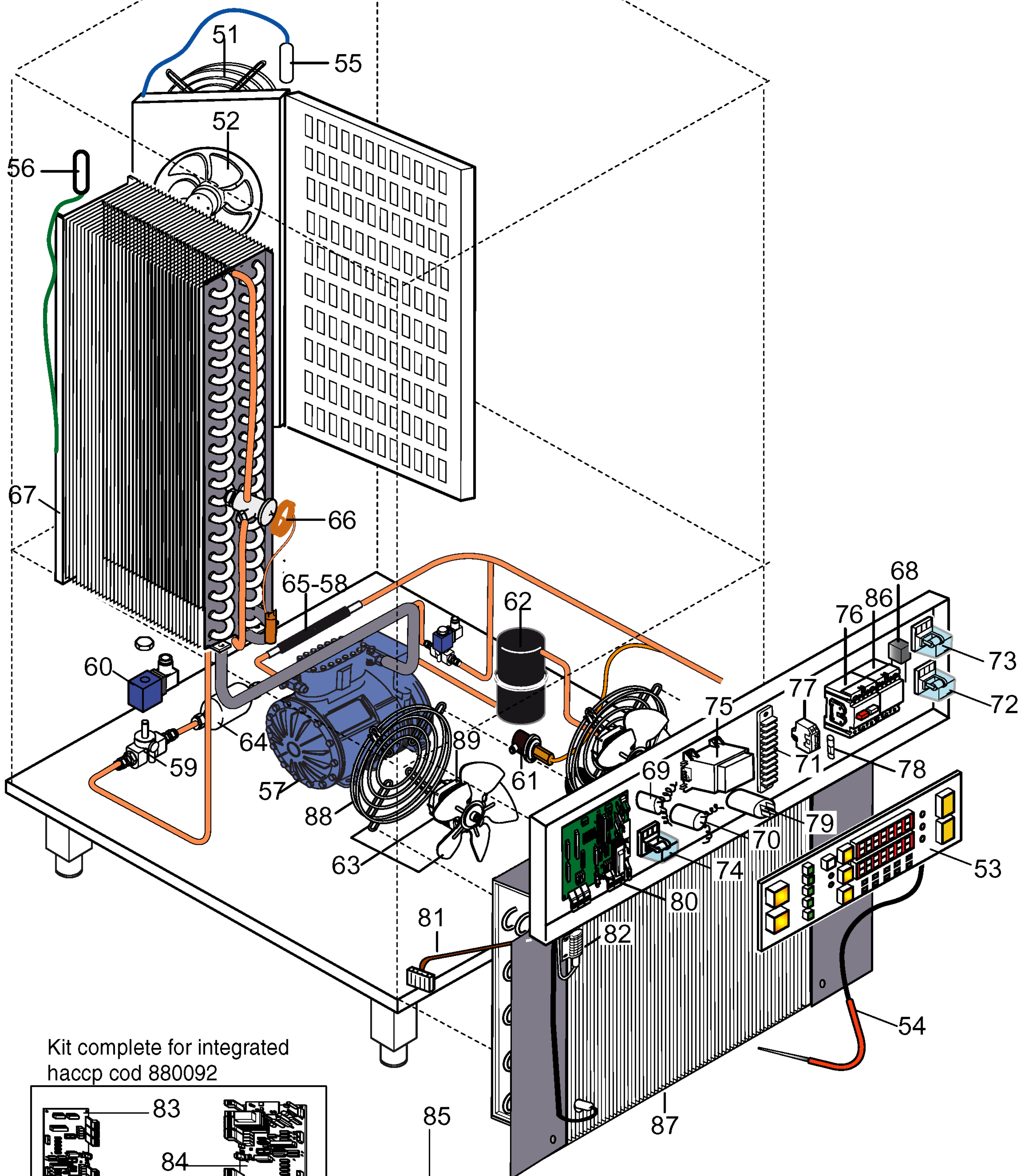
**Doc. Nr.: 541327**



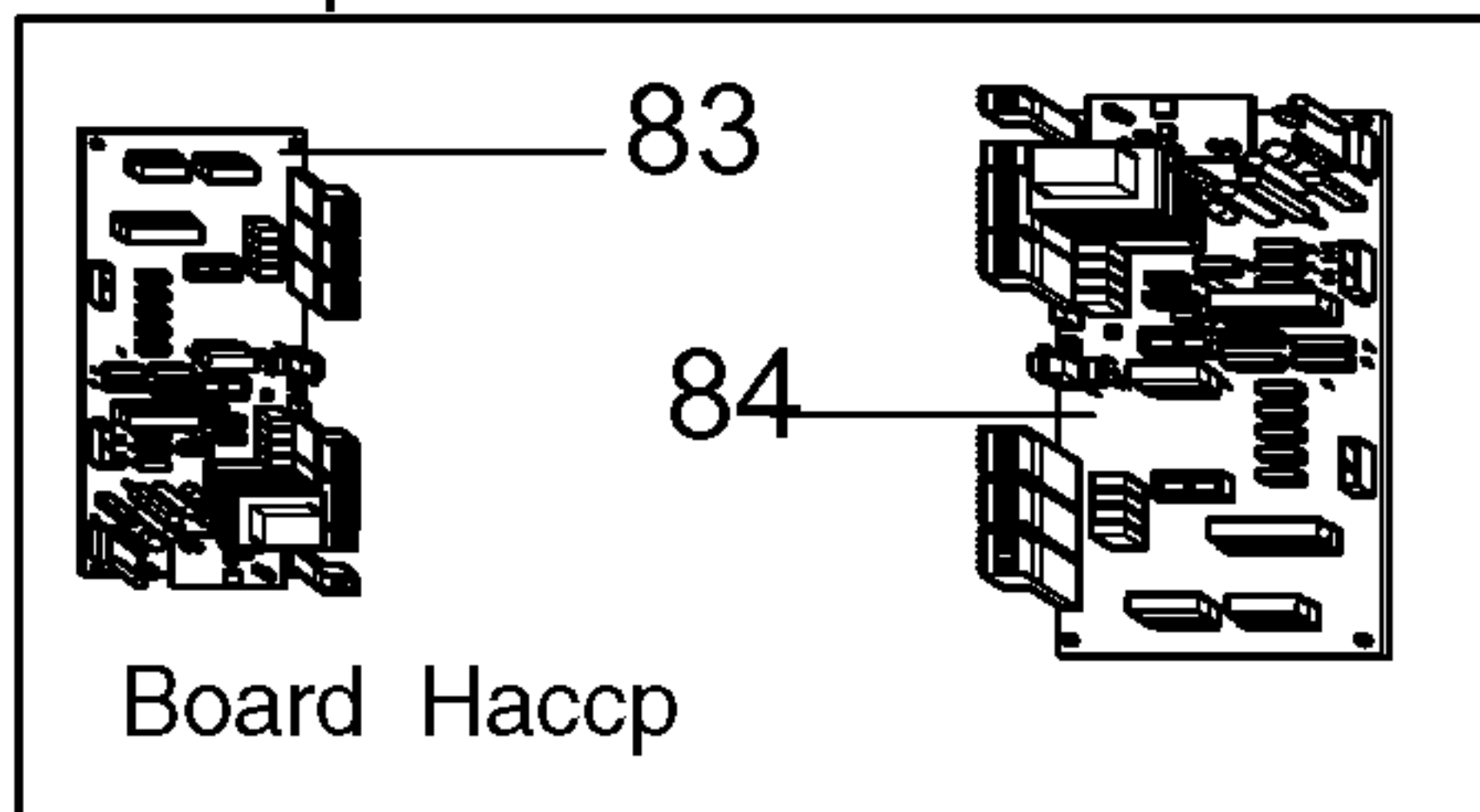


5-41-3-27 mob.





Kit complete for integrated  
haccp cod 880092



541327 grup